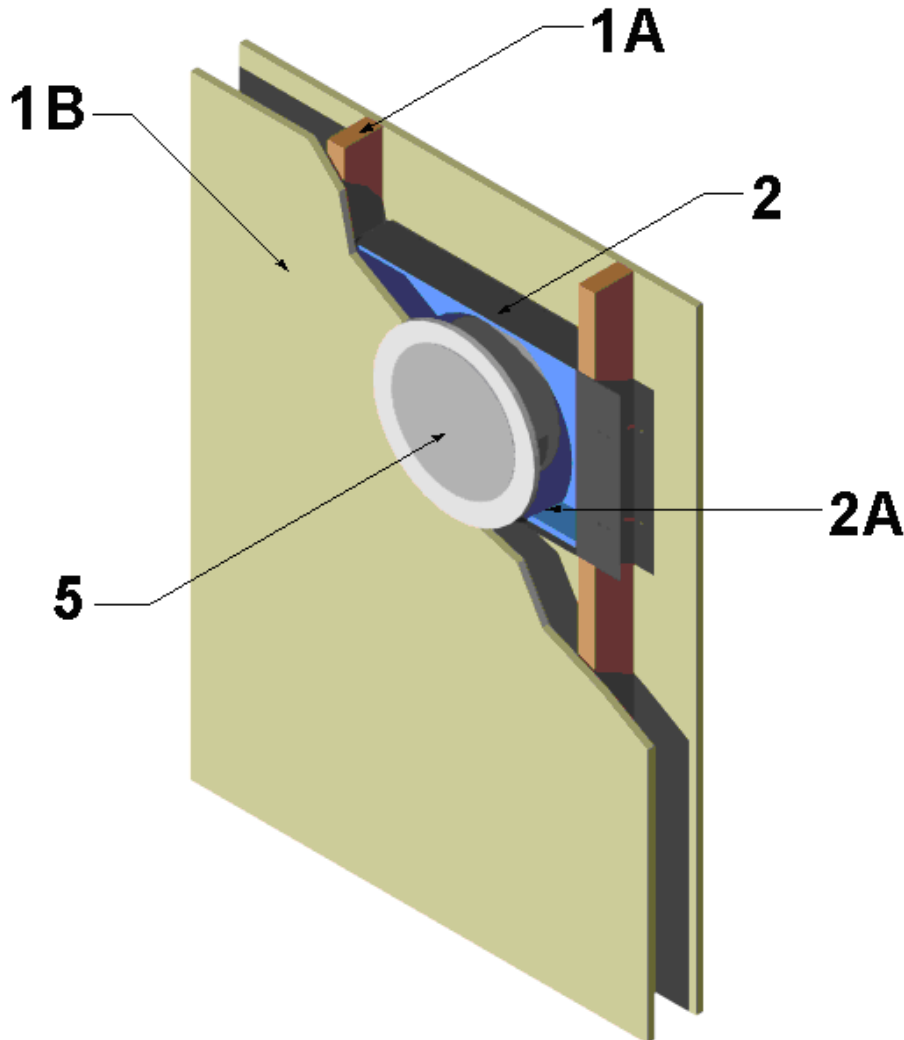

Design Number FRPS/FME 60-01
NON-LOADBEARING WALL
Fire Rated Product Specialties Corp
FN-Z-14-14-3 Fire Enclosure
ASTM E 119
Assembly Rating – 1 Hour
F-Rating – 1 Hour



1. WALL ASSEMBLY: Construct wall assembly using the following elements:

- A. Wood Studs: Install number 2 Grade Douglas Fir 2-inch x 4-inch wood studs spaced maximum 16 inches on center between a double wood stud top plate and single wood stud bottom plate with horizontal 2-inch x 4-inch wood stud cross-bracing at the midpoint of the wall height.

Fasten wood studs to top and bottom plates with Number 16d framing nails spaced maximum 16 inches on center.

- B. Gypsum Board: Attach one layer of 5/8-inch thick, Type X gypsum board on each face. Locate butt joints over studs and offset butt joints on opposite sides maximum 24 inches. Attach to wood studs

Division 05 – Metals

05 58 00 - Formed Metal Fabrications

05 58 16 Formed Metal Enclosures

Page 2 of 2

- (Item 1A) with Number 6 x 1-5/8 inch long coarse thread screws, spaced minimum 8-inches on center around the perimeter and minimum 12-inches on center on the intermediate studs.
- C. JOINT TAPE AND COMPOUND: (Not shown) Use vinyl or casein, dry or premixed joint compound applied to face layers of gypsum wallboard in two coats to all exposed screw heads and gypsum board (Item 1B) butt joints. Embed a minimum 2-inch wide paper, plastic, or fiberglass tape in first layer of compound over butt joints between gypsum board (Item 1B). Verify a minimum wall depth of 4.75 inches created from face layer of gypsum board (Item 1B) to face layer of gypsum board (Item 1B).
2. CERTIFIED MANUFACTURER: Fire Rated Product Specialties Corp
CERTIFIED PRODUCT: Formed Metal Fabrications
MODEL: FN-Z-14-14-3 Fire Enclosure
- RECESSED SPEAKER BOX COVER SYSTEM: Construct an open box using nominal 24 GA galvanized steel and having nominal dimensions of: 24-inches long x 14-inches wide x 3-1/4 inches deep, having two nominal 5 inch wide flanges on the short edges. Position the box in wall cavity with flanges over wood studs (Item 1A). Secure the flanges of the box to the wood studs (Item 1A) with 1-inch coarse thread wood screws, spaced at predrilled locations on the flanges (fasten a minimum of two screws per flange). Install gypsum board (Item 1B) to the wood stud framing (Item 1A) covering the flange. Install maximum of one Recessed Speaker Box Cover System within a 100 square foot wall surface area.
- A. CERTIFIED MANUFACTURER: 3M Company
CERTIFIED PRODUCT: Intumescent Mat
MODEL: I-10
- INTUMESCENT MAT MATERIAL: Cover the interior surface area of the recessed speaker box cover system with nominal 3/16-inch thick, one layer intumescent mat material. Attach intumescent mat material using four pre-punched tabs on the inside of the recessed box cover system (Item 2) in accordance with manufacturer's instructions. If tabs are not available, attach mat using Number 8 x 3/4-inch long K-lath screws inserted through 1-inch diameter galvanized steel washers. Attach a minimum of 2 screws per interior face. All interior surfaces must be covered with intumescent material.
3. ELECTRICAL WIRING (Not Shown): Insert maximum 12 GA electrical power wiring into the pre-punched hole of the recessed speaker box cover system (Item 2). Seal penetration with firestop sealant (ITEM 4) and install in accordance with manufacturer's instructions.
4. CERTIFIED MANUFACTURER: 3M Company
CERTIFIED PRODUCT: Sealant
MODEL: CPWB25+
- FILL, VOID, OR CAVITY MATERIAL (Not Shown): Non-combustible sealant. Apply a bead of sealant around annual space at the penetration through the recessed speaker box cover system (Item 2).
5. SPEAKER: Nominal 3-3/4-inch depth x 9-3/4-inch diameter. Cut a maximum 8-5/8-inch diameter hole into the gypsum board (Item 1B) and install speaker in accordance with manufacturer's instructions.